




shown in Gloss White
with Gloss White blades



shown in Brushed Nickel
with Gray Ash blades

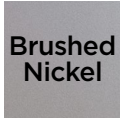


Eliza-HLK *Geometry in Motion*

Designed in 2016

Designed by Chicago architect Stephen Katz in 2016, the Eliza-HLK ceiling-mount fan blends a beautiful technically derived form with superior function and movement. The unique blade shape is designed to maximize air movement at the outer edge of the blade; the result is more efficient air velocity rings, less blade drag and greater motor optimization. Equally important is Eliza-HLK's stationary visual statement which combines modern utility with minimalist geometry. Constructed of cast aluminum and heavy stamped steel, the Eliza-HLK has a limited lifetime warranty.

Blade Options



Brushed
Nickel



Gloss
White



Matte
Black



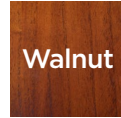
Barn
Wood




Gray
Ash



Old
Oak



Walnut



shown in Gloss White
with Old Oak blades



shown in Matte Black
with Matte Black blades



shown in Gloss White
with Barn Wood blades



shown in Brushed Nickel
with Brushed Nickel blades



shown in Brushed Nickel
with Walnut blades

Eliza-HLK

TECHNICAL SPECIFICATIONS

SKU NAMING CONVENTION

| | |
|----------------|--|
| SKU# | EKHLK-XX-XXX (Model+Finish+Blade Finish) |
| Finishes | Brushed Nickel - BN Gloss White - WH Matte Black - BK |
| Blade Finishes | Barn Wood - BW Brushed Nickel - BN Gloss White - WH Gray Ash - GA Matte Black - BK Old Oak - OO Walnut - WN |

STANDARD EQUIPMENT

6-speed RF remote control with reverse function in black



Wireless Decora-style, 6-speed, wall control in white



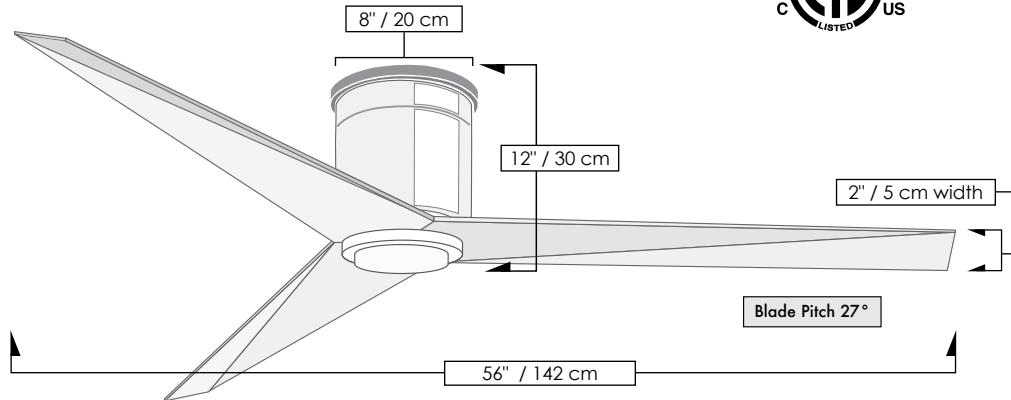
WARNING:
Only compatible with included controllers.

CEILING PITCH TABLE

| | |
|-------|---------------|
| 0/12 | 0 degrees |
| 1/12 | 4.76 degrees |
| 2/12 | 9.46 degrees |
| 3/12 | 14.04 degrees |
| 4/12 | 18.43 degrees |
| 5/12 | 22.62 degrees |
| 6/12 | 26.57 degrees |
| 7/12 | 30.26 degrees |
| 8/12 | 33.69 degrees |
| 9/12 | 36.87 degrees |
| 10/12 | 39.81 degrees |
| 11/12 | 42.51 degrees |

CEILING HEIGHT TABLE

Suitable for ceiling heights 7'10" or greater



FAN SPECIFICATIONS

| | |
|----------------------|---|
| Fan Diameter | 56 inches / 142 cm |
| Overall Drop | 12 inches / 30 cm |
| Fan Weight | 15 lbs |
| Voltage | 110 or 220 |
| Motor Type | DC |
| Downrod Diameter | 1 inch |
| Environment | Damp locations for all finishes Neither coastal, saltwater nor chlorine compatible |
| Ambience | Silent |
| Safety Certification | ETL / CETL |
| Warranty | Limited Lifetime |

NEW JAN 21, 2020 DOE MOTOR EFFICIENCY DATA

| | |
|------------------|-------------|
| RPM (Low / High) | 52 / 187 |
| CFM (Low / High) | 1369 / 5260 |
| Watts (High) | 35.02 |
| CFM/Watt (High) | 150.21 |
| Blade Pitch | 27° |

LIGHT KIT PHOTOMETRICS

| Lamping (Replaceable) | Remote Dimmable | Delivered Temperature in K | Delivered Lumens | CRI | Watts | Hours |
|-----------------------|-----------------|----------------------------|------------------|-----|-------|--------|
| Integrated LED | Yes | 2908 | 428 | 95 | 17 | 50,000 |

Light kit longevity if used 6 Hours/Day: 22.8 Years

Matthews Fan Company

1881 Industrial Drive
Libertyville, IL 60048
Tele: 847.680.9043
Fax: 847.680.8140
www.matthewsfanco.com

© 2019 Matthews Fan Company. All rights reserved.

