

**NEMO**<sup>USA</sup>

# PROJECTEUR 365 PENDANT

Le Corbusier

The Projecteur of Le Corbusier was designed for the Chandigarh High Court, India, in 1954. Aluminum body painted in night blue, white sand or moka. Diffuser glass curved and sandblasted in the inner part. Painted body, base and canopies. Screws and small metal parts black chromed. Available in the floor, wall/ceiling and pendant versions. The wall/ceiling and pendant lamps are available also in the outdoor version.



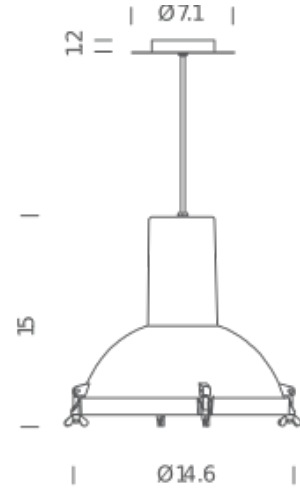
## PROJECTEUR 365 PENDANT

Le Corbusier

### E26 FLUO/LED/HALO

#### Lamping

Source	E26 bulb
Total power	150W
Emission	direct, spot
Switching	dimnable, according to bulb
Tension	120V
Energy class	A
Ip class	20
Dimensions	Ø 14.6 X 15 H
Materials	aluminum + glass
Notes	cable length 9.8'



#### Codes

PRJ EDW 51

white

PRJ EWS 51

white

PRJ EMS 51

white

Net lamp weight

#### Structure

night blue

white sand

moka

7.7 lbs

#### Diffuser

#### Package 1

Dimensions 19.7 X 19.7 X 19.7

Gross weight 11 lbs

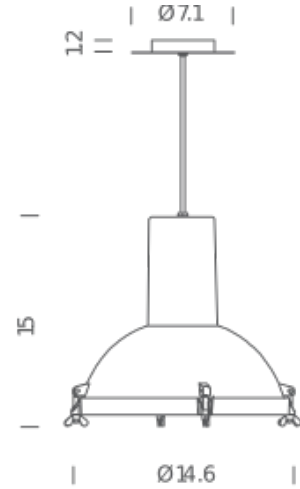
## PROJECTEUR 365 PENDANT

Le Corbusier

### E26 FLUO/LED/HALO IP 65 OUTDOOR

#### Lamping

Source	E26 bulb
Total power	60W
Emission	direct, spot
Switching	dimnable, according to bulb
Tension	120V
Energy class	A
Ip class	65
Dimensions	Ø 14.6" x 15" H
Materials	aluminum + glass
Notes	cable length 9.8'
Accessories	



#### Codes

PRJ EDW 52  
white

PRJ EWS 52  
white

PRJ EMS 52  
white

#### Structure

night blue

white sand

moka

#### Diffuser